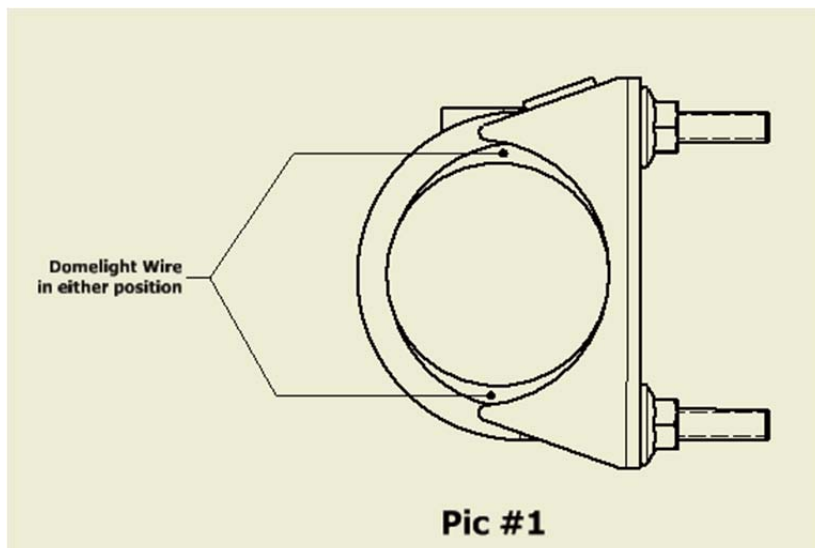


Installation Instructions for Overhead Storage Tray



Picture is just for reference, you do not need to remove your hardtop, but you can if you wish.

1. Unzip the cloth covering on the right rear of the roll cage and relocate the dome light wiring so the U-bolts you are going to install will not damage it when tightening down on the roll cage tubing. You may have to cut wires and add 3 or 4 inches to them to have enough slack to move them to the safe location. See pic. #1 for the location of wires to pass under the U-bolts without getting pinched. Use tape to hold wires in place under cloth, then zip the cloth back over them.



Installation Instructions for Overhead Storage Tray

- The top U-bolt will be located just under the seatbelt stud, (see pic #2 & 3) and the lower U-bolt locates 10" below it so place your tape accordingly.



Pic #2



Pic #3

- Install one of the 1-1/2" wide Velcro strips tightly around the cloth covering of the roll cage, as high as you can under the seatbelt stud, and then a second strip 10" below it. (see pic #4 & 5) Do this on both sides to protect the cloth covering from any damage when tightening the U-bolt clamps.



Pic #4



Pic #5

- Determine which top U-Bolt Saddle, with the welded hook, goes on the right and left. See pic. #6 that shows the top right saddle with hook over the top of the seatbelt stud on the roll cage.

Installation Instructions for Overhead Storage Tray



Pic #6

5. Install right and left side support brackets with U-Bolts, saddles and nuts over the cloth covering on roll cage, (see pic #7) with the hooks of the top saddles over the seatbelt studs. Only tighten U-bolts enough to hold the brackets upright but still be able to rotate them a little bit.



Pic #7

Installation Instructions for

Overhead Storage Tray

6. Insert the tray into your Jeep with the three large slotted hand holes to the rear. Install the two 3/8" shoulder bolts with a nylon washer from the inside of the tray through the 3/8" holes in the tray and the 5/16" holes in the support bracket. Note that we have attached the 3/8" nylon washers to the support brackets with superglue to make installation easier. You should have a nylon washer on the inside and outside of each tray wall. Install the 5/16" nuts and tighten down on the support brackets.
7. With the tray in its lowered position, check that it is centered right to left on the support brackets, and snug down the U-bolts to about 50 inch pounds.
8. Install the two 10mm ball studs into the slotted holes on the sides of the tray with flat washer on each side and the ball on the outside. Put them in the center of each slot, (see pic #8 & 9) for now, but you may want to adjust them later to raise or lower the tray in its up and locked position.



Pic #8



Pic #9

9. Prepare the gas springs for installation. Note that locking the sleeve with the red push button can be positioned to your preference by loosening the ball socket head and rotating the locking sleeve on the rod of the gas spring, we would suggest you put the red push button pointing inward, and the rod end of the gas spring will go on the tray ball stud.
10. Lift the rear of the tray and install the gas spring. The ball sockets just push on and pull off the 10mm balls.
11. Check the tray for being level from side to side and the clearance from the top sides of tray to your Jeeps hard top. This clearance should be about 1". If adjustment is needed, loosen the ball studs in the slotted holes and retighten them forward or back until you achieve the height you want and both sides are the same.